

### ABOUT TIMES-7

Pushing the boundaries of RFID technology worldwide Times-7 are leaders in RFID antenna design and manufacture. Our patented award winning UHF antennas meet the needs of virtually any industry application; providing customers with fast accurate tracking of products, assets & people; empowering organizations to transform processes & reduce costs.

Our SlimLine range of antennas are unique in the RFID industry; offering high levels of performance & durability in an aesthetically superior form.

Proven in a diverse & growing range of markets, applications include: retail & customer interaction, conference & people tracking, race timing, baggage handling, and logistic & supply chain asset management.

Times-7 Research Ltd  
29 Railway Avenue  
Lower Hutt 5010  
New Zealand

NEW ZEALAND  
P: +64 4 974 6566

USA/CANADA  
P: +1 408 769 5025

E: [info@times-7.com](mailto:info@times-7.com)

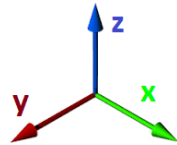
[www.times-7.com](http://www.times-7.com)

Up to 9m / 29 ft. read range

Just 14mm / 0.55 in. thick

High performance & rugged design

IP67 rating for permanent outdoor use  
& industrial applications



*The SlimLine A5010*

The Times-7 industry leading ultra-low profile design is now available in a compact 250 mm / approx. 10 in. square footprint. IP67 rated for permanent outdoor use and built to Times-7's high standard for quality and robustness, the circularly polarized A5010 creates a new benchmark for multi-purpose UHF RFID antennas.

### Specifications:

#### **Physical / Environmental Specifications**

Dimensions (L x W x D):	250 mm x 250 mm x 14 mm 9.85 " x 9.85 " x 0.55 "
Weight:	0.75 kg / 1.6 lbs.
Radome Material:	UV-Resistant ABS
Environmental Rating:	IP67
Operating / Storage Temperature:	-20° to +55°C / -30° to +65°C -4° to +131°F / -22° to +149°F
Mounting:	Flush or VESA mount (mounting info on page 4)
Connector type / position:	SMA female side connector

#### **Electrical Specifications**

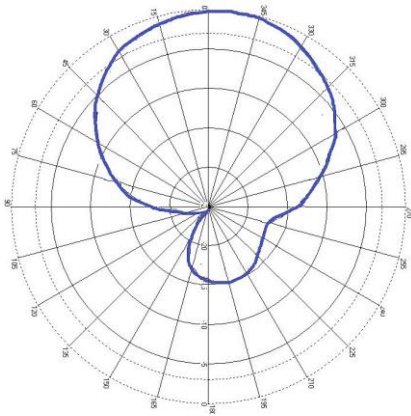
Frequency Range:	865-868 MHz / 902-928 MHz
Polarization:	RHCP (Right Hand Circular Polarized)
Far-field Gain:	8.5 dBiC typical
Far-field 3 dB beamwidth:	68° in both planes
VSWR:	1.3 typical
Front to back ratio:	-20 dB
Axial ratio:	1 dB typical
Nominal impedance:	50 Ω
Anti-static protection:	Yes, DC grounded
Antenna detection	10 K Ω resistance
Maximum Input Power:	3 W

### Order Information

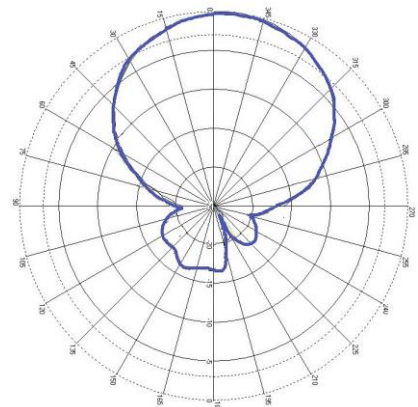
*(please quote both product code & part no.)*

Product Code	Band	Part No.
A5010 (Flush Mounted)	FCC 902-928 MHz	60001
A5010 (Flush Mounted)	ETSI 865-868 MHz	60002
A5010 (Stud Mounting)	FCC 902-928 MHz	60003
A5010 (Stud Mounting)	ETSI 865-868 MHz	60004
Cable Accessories	Cable Type	Part No.
Cable 2 m, SMA to RPTNC	LMR 195 / 240	71436 / 71782
Cable 4 m, SMA to RPTNC	LMR 195 / 240	71437 / 71784
Cable 6 m, SMA to RPTNC	LMR 240	71904
Cable 8 m, SMA to RPTNC	LMR 195 / 240	71438 / 71788

E-field Radiation Pattern

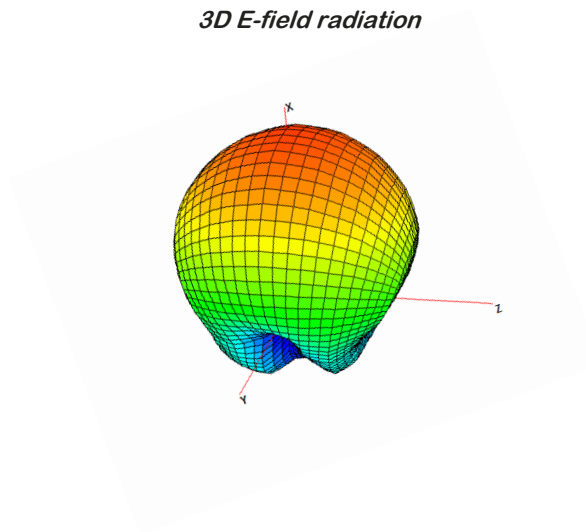


XZ-plane



YZ-plane

*3D E-field radiation*



### Environmental Test

Test	Standard	Duration	Temperature	Notes
Low Temperature	IEC 68-2-1	72 Hrs	-55° C	
Thermal Shock (non op)		1 Hr	-45 / 70° C	3 cycles
Humidity		72 Hrs	85° C RH	
Dust Resistance	IEC 60529	8 Hrs		with vacuum
Solar Radiation		4 Days		340 nm
Impact Resistance				1 lb ball drop at 24" X 6 (top/bottom/sides)
Salt Fog	Mil-Std-810G	24 Hrs in-24 Hrs out		2 cycles
Vibration Vehicle	Mil-Std-810G	1 Hr X 3 axes		10-500 Hx, 1.04 Grms,
Shock-Half Sine	Mil-Std-810G			10 G / 11 ms, 5 shocks x 6 directions
Shock-Drop	Mil-Std-810G			26 drops @ 48"
HighTemp Storage		24 Hrs each temp		60C, 65C, 70C, 80C, 85C, 90C & 95C

All reliability and performance measurement have been performed by certified, independent labs. Full report is available on request.

### A5010 Mounting Information

The 5010 is designed to support either flush or VESA mount. To accommodate both approaches, versions with either flush or studded backplates are supported.

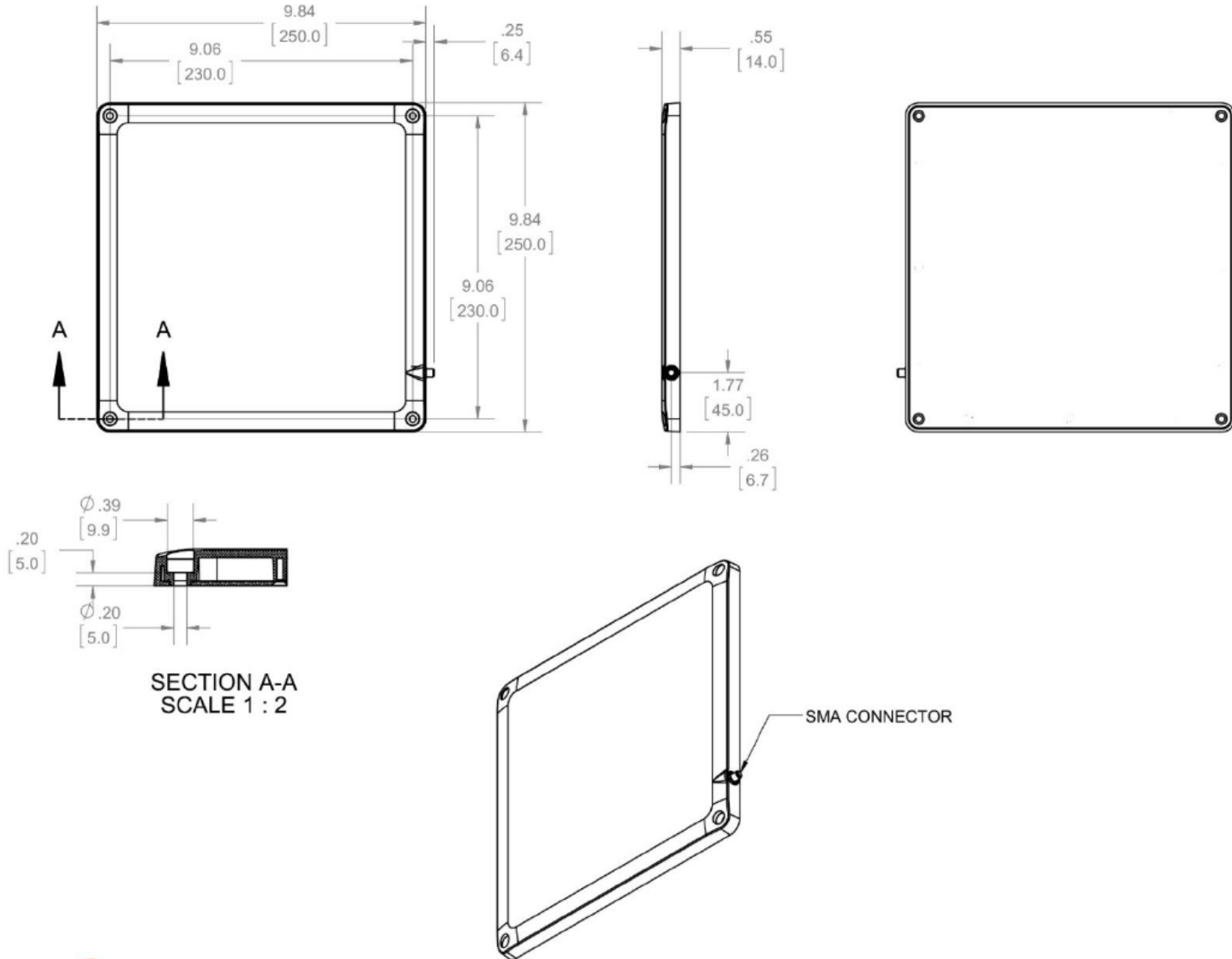
With part numbers 60001 and 60002, flush mounting can be accommodated by attaching via screws or bolts through the corner holes in the housing or by using double sided industrial tape on the backplate.

The studs on part numbers 60003 and 60004 are on 100mm spacing which will support standard VESA brackets available from a wide range of suppliers.

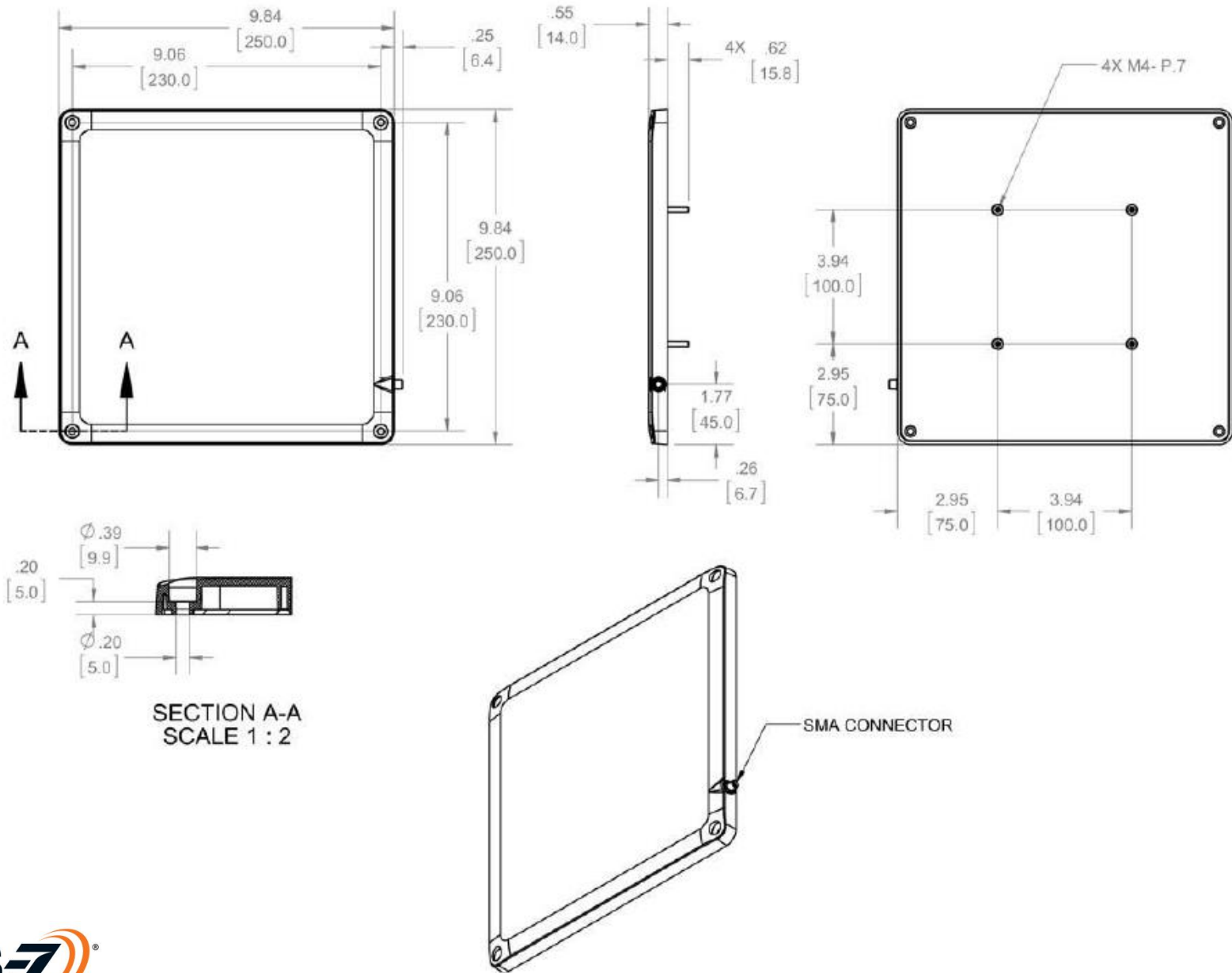


A5010 Stud mounted on a [VESA bracket](#) available from a wide range of suppliers.

# A5010 Flush



# A5010 Stud



### Applications

- Warehousing
- Retail
- Medical & Pharma applications
- All weather applications



The technical data contained in this publication is not a guarantee for which Times-7 Research Ltd assumes legal accountability. It is indicative of typical performance, and if required should be relied on for specific applications only after due verification.

All technical data, specifications and other information contained herein are deemed to be the proprietary intellectual property of Times-7 Research Ltd. No reproduction, copy or use thereof may be made without the express written consent of Times-7 Research Ltd.

Built in the USA in an ISO 9001, 14001, 13485 and fully ITAR compliant/registered facility. ROHS compliant.

### OUR GLOBAL NETWORK

Constantly increasing market reach and influence in the global RFID industry, Times-7's international support spans The Americas, Europe, and Asia Pacific regions through our distributor, authorized reseller and integrated solutions provider network.

Times-7 Research Ltd  
29 Railway Avenue  
Lower Hutt 5010  
New Zealand

NEW ZEALAND  
P: +64 4 974 6566

USA/CANADA  
P: +1 408 769 5025

E: [info@times-7.com](mailto:info@times-7.com)

[www.times-7.com](http://www.times-7.com)